

Talon openGear Roadmap - Decoders

H.264 | H.265

FEATURES

- Embedded 8 Audio Channels for each input
- **Genlock**
- **Color Depth 10-bit 4:2:2**
- Protocols: UDP, RTP, SRT™
- SDI Output Video Format pass through from incoming transport stream
- Audio Compression AAC-LC
- CEA-708 Closed Caption Support
- **SMPTE 2038 Support**
- Dual GigE Ethernet, 1x RJ45, 1x openGear Frame (requires Ross Video MFC-OG3-N Advanced Networking Frame Controller)
- JSON REST API
- Secure HTTPS (SSL) web-based management
- OpenVPN and OpenConnect Client
- Whitelist/Firewall for management IP access
- **In-band KLV support**

SPECIFICATIONS:

I/O Connections:

- HD-BNC for SDI
- Ethernet #1 - RJ45
- Ethernet #2 – openGear Frame
- Genlock – openGear Frame

Video Formats

- DCI 4K at 23.98/24/25/29.97/30/50/60 fps (OG-12G-2D)
- UHD 4K at 23.98/24/25/29.97/30/50/60 fps (OG-12G-2D)
- 1080p at 23.98/24/25/29.97/30/50/59.94/60 fps
- 720p at 25/29.97/30/50/59.94/60 fps

In the Box:

- OpenGear Card
- Rear I/O Module

Mechanical:

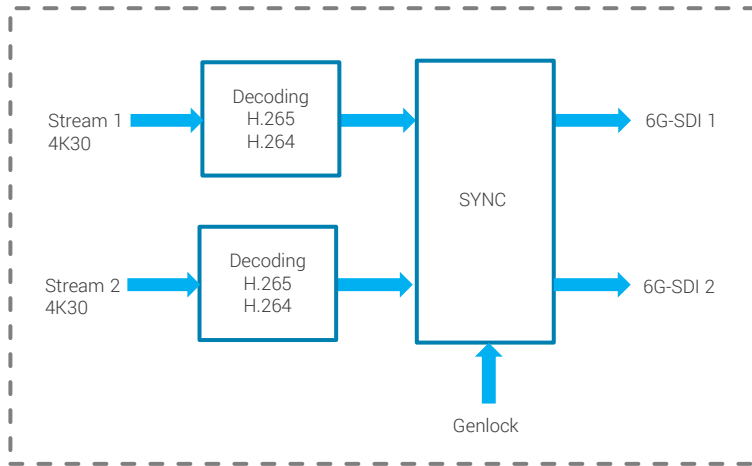
- Density: up to 20 Cards per 2RU Frame
- Power consumption: 13W
- Operating Temperature -20C to 60C
- Operating Humidity 5% to 95% non-condensing

Models:

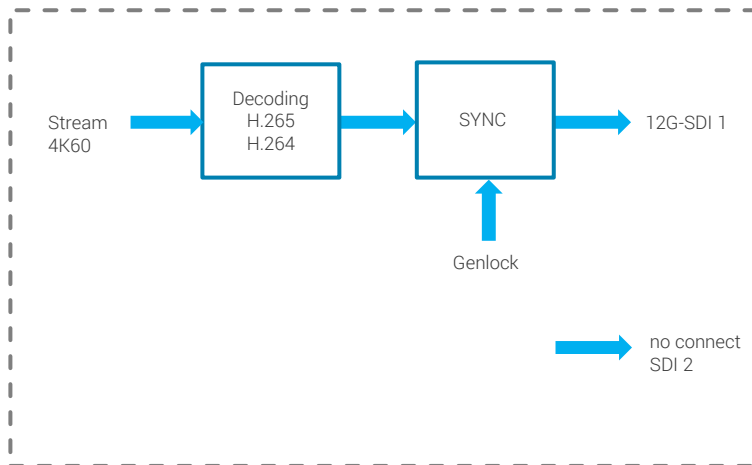
- | | |
|-----------|--|
| OG-3G-2D | Dual Channel 1080P60 |
| OG-12G-2D | Dual Channel 4K30 or Single Channel 4K60 |



Talon openGear OG-12G-2D Dual 4K Decoder

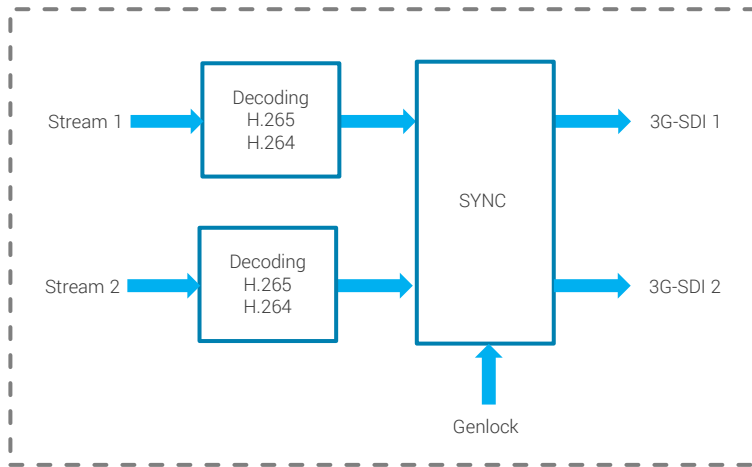


Pipeline supports two **4K30** input streams and two decodes up to **4K30**.
SDI outputs 6G-SDI



Pipeline supports one **4K60** input stream and one decode up to **4K60**.
SDI output 12G-SDI

Talon openGear OG-3G-2D Dual HD Decoder



Pipeline supports two **1080P60** input streams and two decodes up to **1080P60**.
SDI outputs 3G-SDI