

Talon openGear Roadmap - Decoders

NEW
2024

FEATURES

- Embedded 8 Audio Channels
- **Genlock**
- **Color Depth 10-bit 4:2:2**
- **HDR (HLG)***
- **Timecode from Transport Stream (SMPTE12M-2) → Embedded SDI ***
- **Embedded SCTE35 from transport stream → SCTE104 in SDI ***
- Protocols: UDP, RTP, Zixi™, SRT™,
- SDI Output Video Format pass through from incoming stream
- Audio Compression AAC-LC
- CEA-708 Closed Caption Support
- **SMPTE 2038 Support**
- Dual GigE Ethernet, 1x RJ45, 1x openGear Frame (requires Ross Video MFC-OG3-N Advanced Networking Frame Controller)
- JSON REST API
- Secure HTTPS (SSL) web-based management
- OpenVPN and OpenConnect Client
- Whitelist/Firewall for management IP access
- **In-band KLV support**

* Not included in initial release, future firmware update

SPECIFICATIONS:

I/O Connections:

- HD-BNC for SDI
- Ethernet RJ45

Video Formats:

- DCI 4K at 23.98/24/25/29.97/30/50/59.94/60 fps (OG-12G-2D)
- UHD 4K at 23.98/24/25/29.97/30/50/59.94/60 fps (OG-12G-2D)
- 1080p at 23.98/24/25/29.97/30/50/59.94/60 fps
- 720p at 25/29.97/30/50/59.94/60 fps
- 576p 25 fps
- 480p 30fps

In the Box:

- OpenGear Card
- Rear I/O Module

Mechanical:

- Density: up to 20 Cards per 2RU Frame
- Power 13W
- Operating Temperature -20C to 60C
- Operating Humidity 5% to 95% non-condensing



04/2024

04/2024

05/2024

OG-12G-2D

Single Channel 4K60 or Dual Channel 4K30

Single 4K60 input stream, decode 4K60
Parallel mirrored 12G-SDI outputs

or

Dual 4K30 input streams, decode 2x 4K30
6G-SDI outputs

OG-3G-2D

Dual Channel 3G-SDI

Single 1080P60 input stream, decode 1080P60
Parallel mirrored 3G-SDI outputs

or

Dual 1080P60 input streams, decode 2x 1080P60
3G-SDI outputs

OG-3G-4D

Quad Channel 3G-SDI

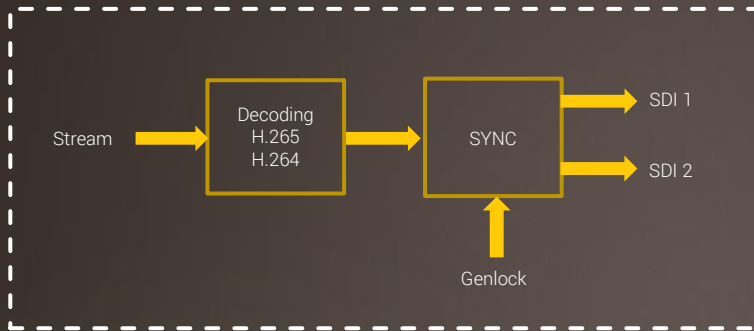
Quad 3G-SDI Outputs, quad 1080P60 decodes

Osprey[®]
Video

Talon openGear OG-12G-2D Dual 4K Decoder

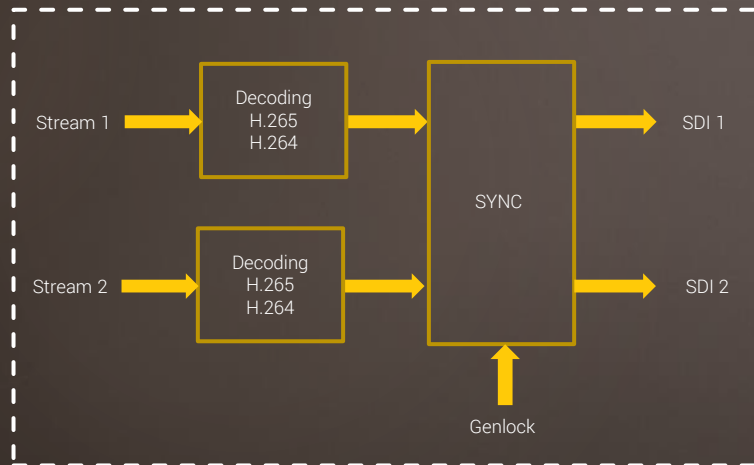
NEW
2024

Decoder 4K60
Single Mode



Pipeline supports one 4K60 input stream and one decode up to 4K60. SDI outputs are parallel (mirrored) 12G-SDI

Decoder 4K30
Dual Mode

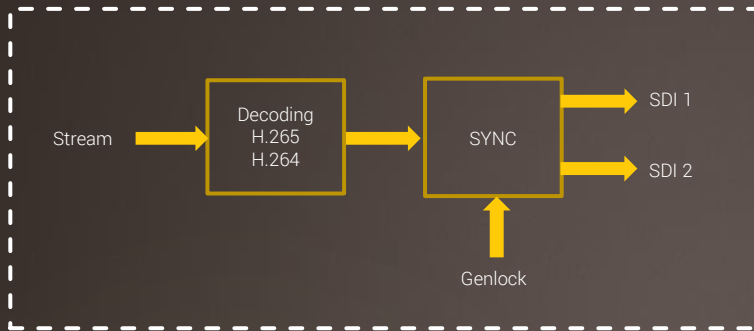


Pipelines supports two 4K30 input streams and two decodes up to 4K30. SDI outputs 6G-SDI

Talon openGear OG-3G-2D Dual HD Decoder

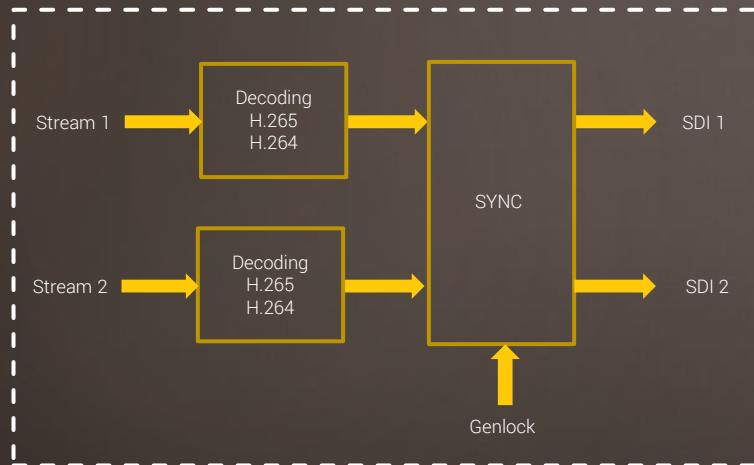
NEW
2024

Decoder 1080P60
Single Mode



Pipeline supports one 1080P60 input stream and one decode. SDI outputs are parallel (mirrored) 3G-SDI

Decoder 1080P60
Dual Mode

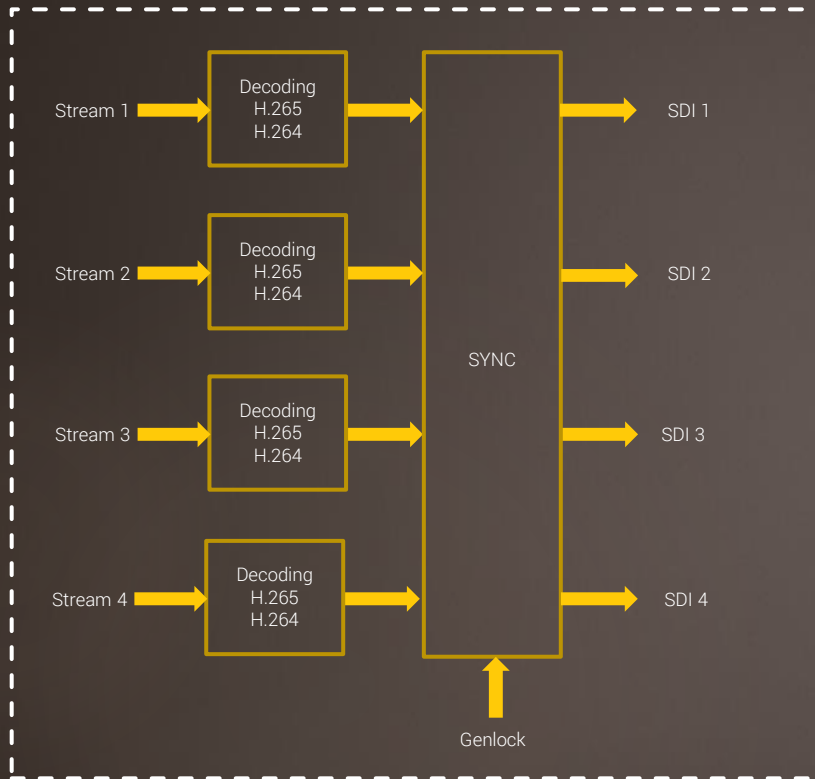


Pipelines supports two 1080P60 input streams and two decodes. SDI outputs 3G-SDI

Talon openGear

OG-3G-4D Quad HD Decoder

NEW
2024



Pipeline supports four 1080P60 input streams and four decodes up to 1080P60.
SDI outputs 3G-SDI