

# Talon openGear Roadmap - Decoders

## H.264 | H.265

### FEATURES

- Embedded 8 Audio Channels for each input
- **Genlock**
- **Color Depth 10-bit 4:2:2**
- Protocols: UDP, RTP, Zixi™, SRT™
- SDI Output Video Format pass through from incoming transport stream
- Audio Compression AAC-LC
- CEA-708 Closed Caption Support
- **SMPTE 2038 Support**
- Dual GigE Ethernet, 1x RJ45, 1x openGear Frame (requires Ross Video MFC-OG3-N Advanced Networking Frame Controller)
- JSON REST API
- Secure HTTPS (SSL) web-based management
- OpenVPN and OpenConnect Client
- Whitelist/Firewall for management IP access
- **In-band KLV support**

### SPECIFICATIONS:

#### I/O Connections:

- HD-BNC for SDI
- Ethernet #1 - RJ45
- Ethernet #2 – openGear Frame
- Genlock – openGear Frame

#### Video Formats

- DCI 4K at 23.98/24/25/29.97/30 fps (OG-12G-2D)
- UHD 4K at 23.98/24/25/29.97/30 fps (OG-12G-2D)
- 1080p at 23.98/24/25/29.97/30/50/59.94/60 fps
- 720p at 25/29.97/30/50/59.94/60 fps
- 576p 25 fps
- 480p 30fps

#### In the Box:

- OpenGear Card
- Rear I/O Module

#### Mechanical:

- Density: up to 20 Cards per 2RU Frame
- Power consumption: 13W
- Operating Temperature -20C to 60C
- Operating Humidity 5% to 95% non-condensing

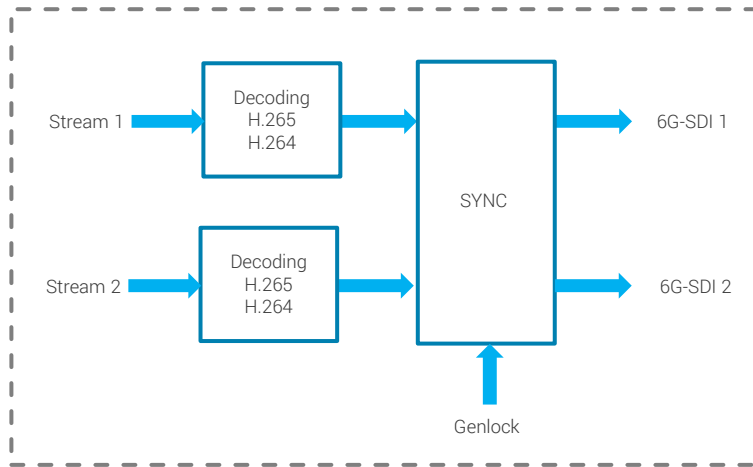
### Models:

OG-3G-2D      Dual Channel 1080P60

OG-12G-2D    Dual Channel 4K30

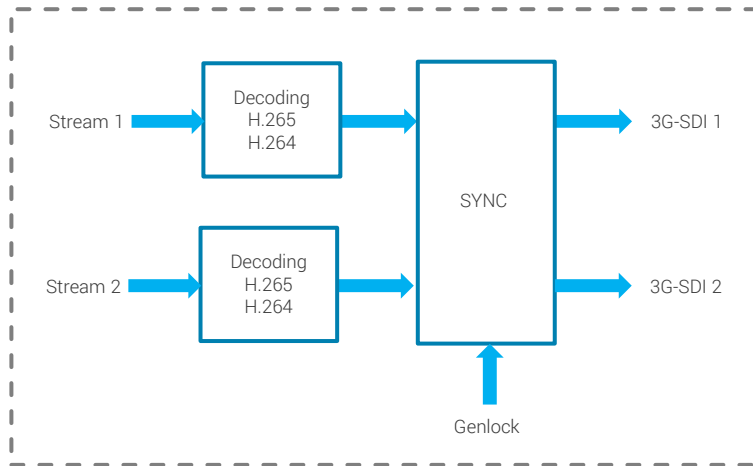


# Talon openGear OG-12G-2D Dual 4K Decoder



Pipeline supports two **4K30** input streams and two decodes up to **4K30**.  
SDI outputs 6G-SDI

# Talon openGear OG-3G-2D Dual HD Decoder



Pipeline supports two **1080P60** input streams and two decodes up to **1080P60**.  
SDI outputs 3G-SDI